

Mounting Methods & Drawing / Guide Overview

Get the whole story on mounting. Talk to Gemini.

This chart is an overview of many popular mounting styles from Gemini. But for your challenging applications and technical questions, call or email our sales office. In addition, production drawings for over 70 different mounting styles, and numerous installation resources, are available at [GeminiSignProducts/en/resources](https://www.geminisignproducts.com/en/resources)

DRAWING / GUIDE ▼	AVAILABLE
Mounting Pattern	■
Stencil Guide	▲
Spacing Guide	●
Pounce Pattern	◆

PRODUCT TYPE ▼	Stud	Stud Brick/Block	Top Stud	Bottom Stud	Top & Bottom Stud	Rail/Top	Rail/Bottom	Rail/Single	Rail/Double	Bottom Angle Bracket
METAL	Cast	■	■	■	■	✓	✓	✓	✓	✓
	Flat Cut	■	■	■*	■*	✓	✓	✓	✓	✓
	Fabricated	■	■	■	■	✓	✓	✓	✓	✓
PLASTIC	Formed	■	■	n/a	n/a	n/a	n/a	✓	✓	n/a
	Injection Molded	■	■	n/a	n/a	n/a	n/a	✓	✓	n/a
	Laser Cut	■	■	■*	■*	■*	n/a	✓	✓	n/a
	Laminated	■	■	■*	■*	■*	n/a	✓	✓	n/a

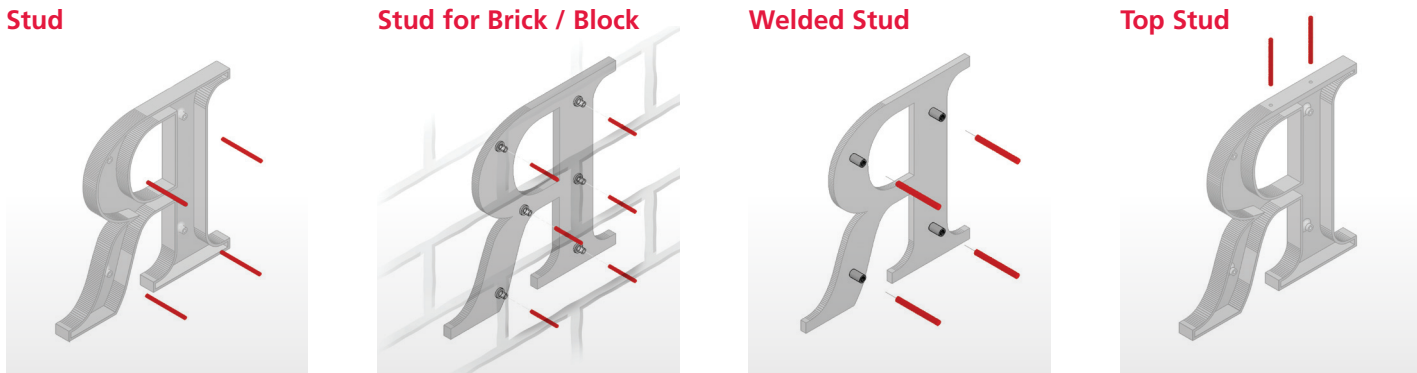
✓ Mounting available but no drawing or guide available

* Minimum 3/8" thick

PRODUCT TYPE ▼	Welded Stud	Engineered Stud	Detachable Stud	Plain	Pad	Combination	Combination All	Flange	Outside Bracket	Double-Faced Tape Mount
METAL	Cast	n/a	n/a	●	n/a	n/a	n/a	n/a	n/a	n/a
	Flat Cut	■	n/a	n/a	●	n/a	n/a	n/a	n/a	n/a
	Fabricated	n/a	■	■	●	n/a	n/a	n/a	n/a	n/a
PLASTIC	Formed	n/a	n/a	n/a	●	●	■	■	●	●
	Injection Molded	n/a	n/a	n/a	●	●	■	■	n/a	n/a
	Laser Cut	n/a	n/a	n/a	▲ ● ◆	●	■	■	n/a	n/a
	Laminated	n/a	n/a	n/a	▲ ● ◆	●	■	■	n/a	n/a

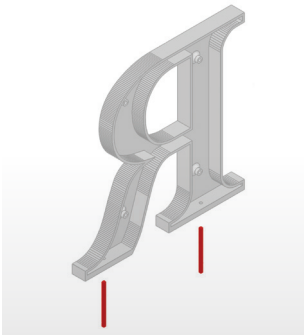
Mounting Methods

Images for reference only. Some restrictions apply. See product sections for more information.

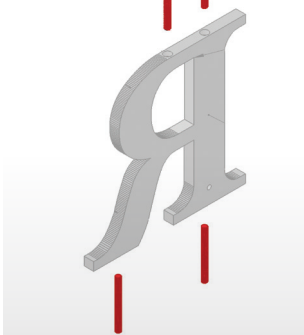


Mounting Methods

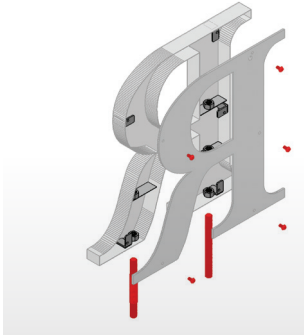
Bottom Stud



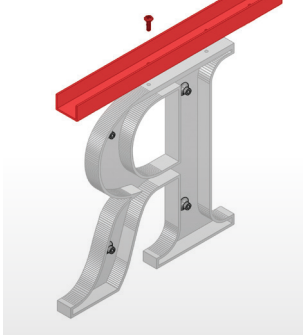
Top & Bottom Stud



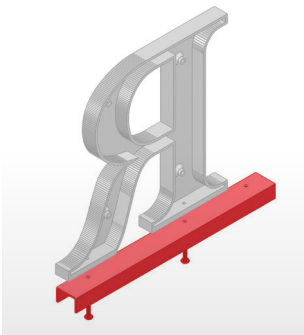
Engineered Stud



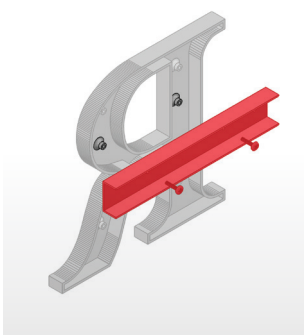
Rail / Top



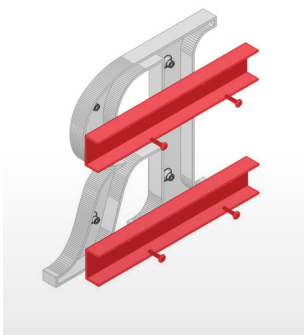
Rail / Bottom



Rail / Single



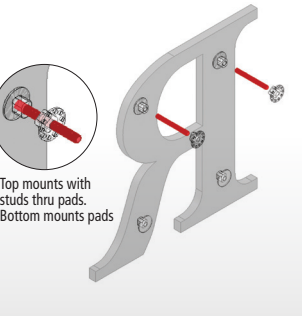
Rail / Double



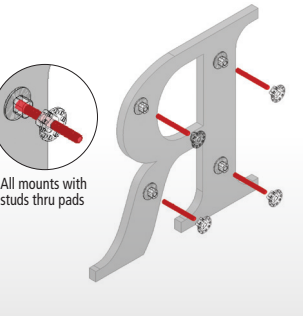
Bottom Angle Bracket



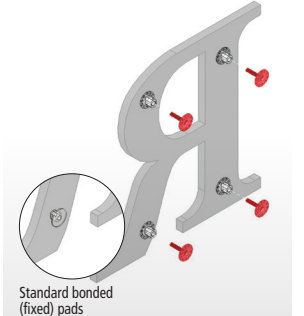
Combination



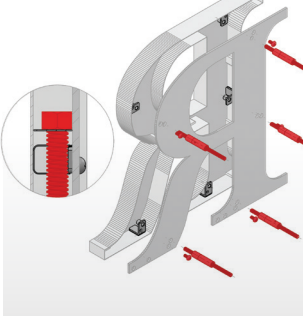
Combination All



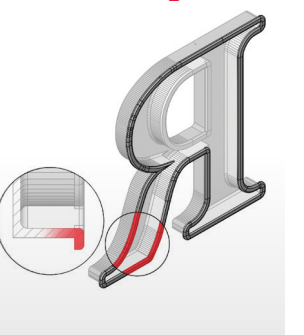
Pad



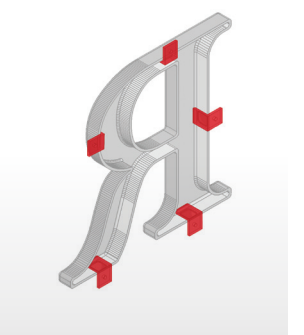
Detachable



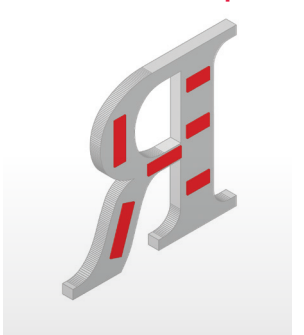
Formed Flange



Bracket Mount



Double-Faced Tape



Plain

